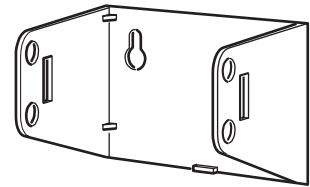
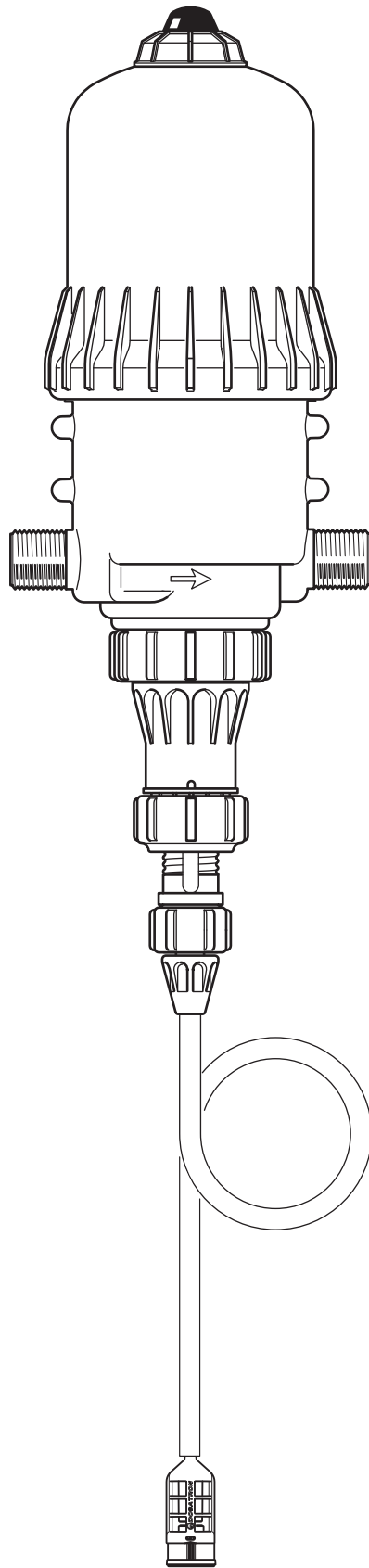


DI16

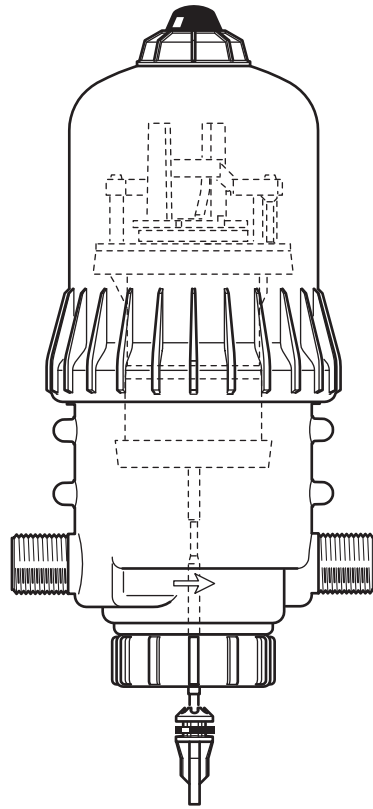
2.5 m³/h - 0.2 - 1.6%
11 GPM - 1:500 - 1:64
0.3 - 6 bar
4.3 - 85 psi



DI16

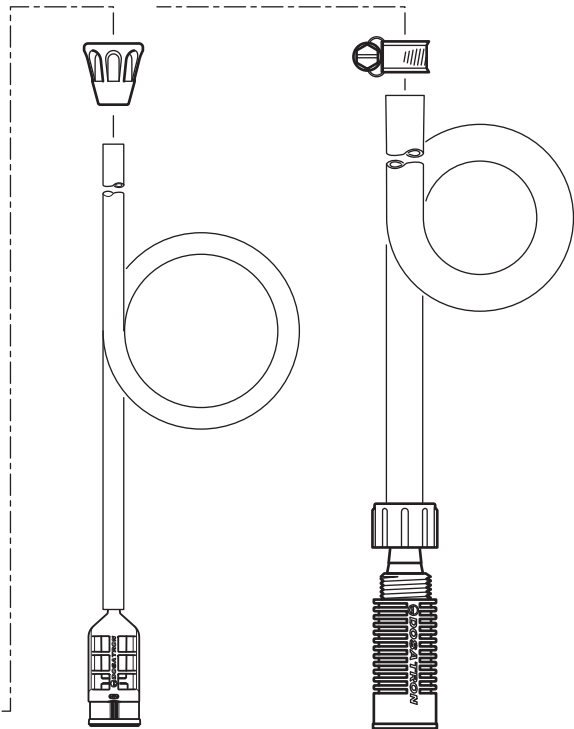
2.5 m³/h - 0.2 - 1.6%
11 GPM - 1:500 - 1:64
0.3 - 6 bar
4.3 - 85 psi

C+M

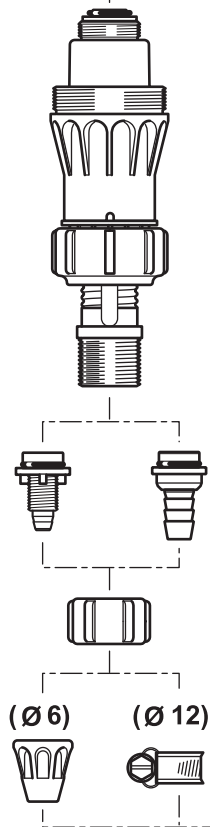


A

Option "V"

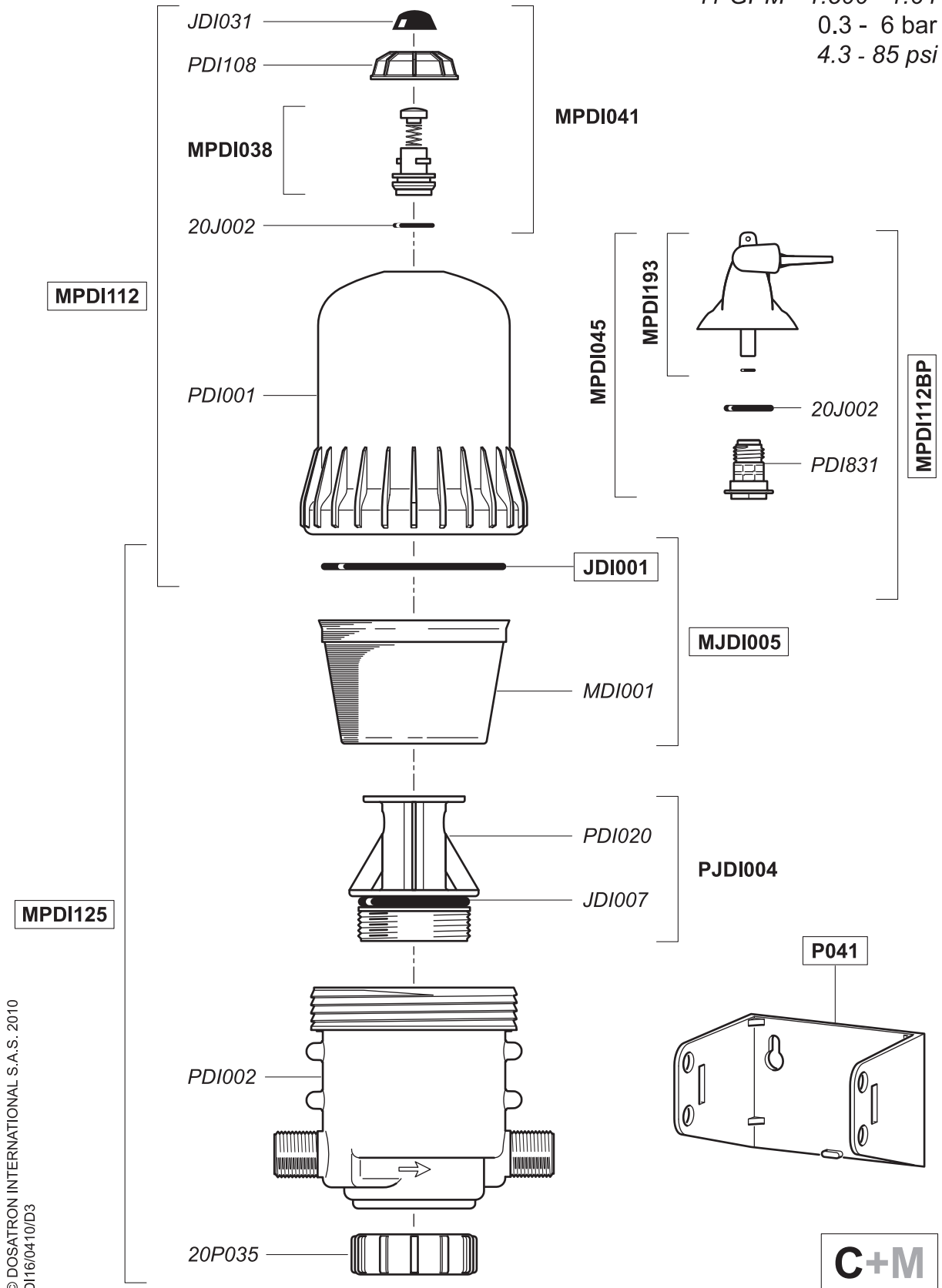


D



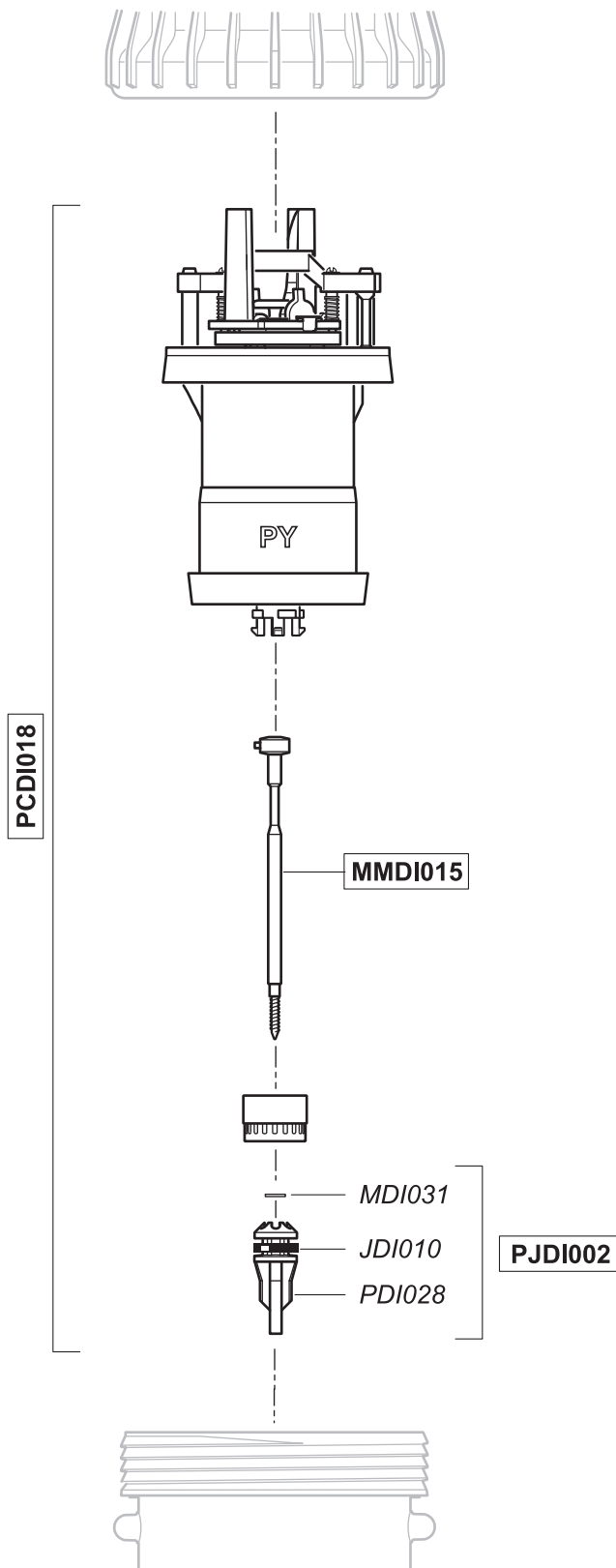
DI16

2.5 m³/h - 0.2 - 1.6%
 11 GPM - 1:500 - 1:64
 0.3 - 6 bar
 4.3 - 85 psi



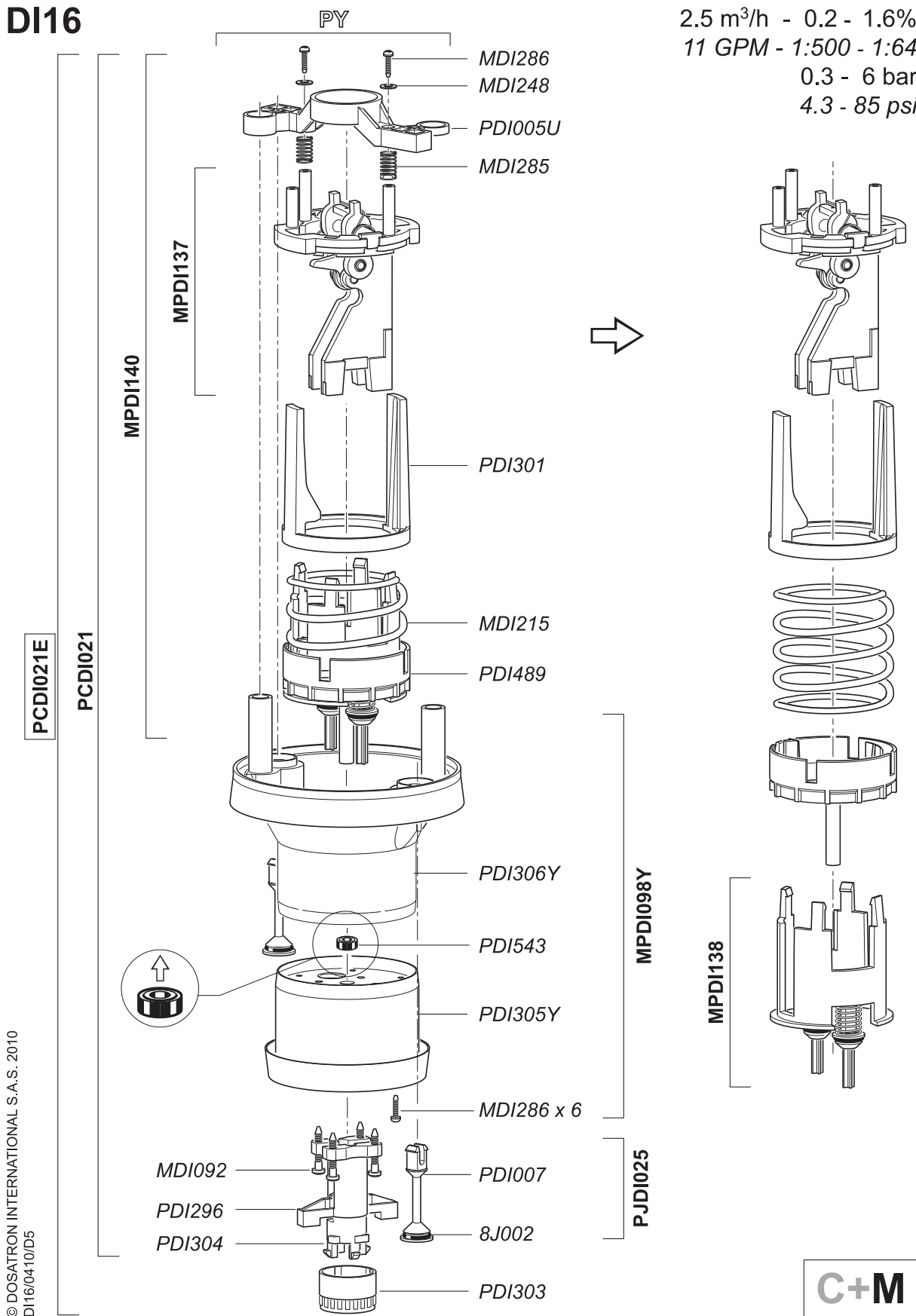
DI16

2.5 m³/h - 0.2 - 1.6%
11 GPM - 1:500 - 1:64
0.3 - 6 bar
4.3 - 85 psi



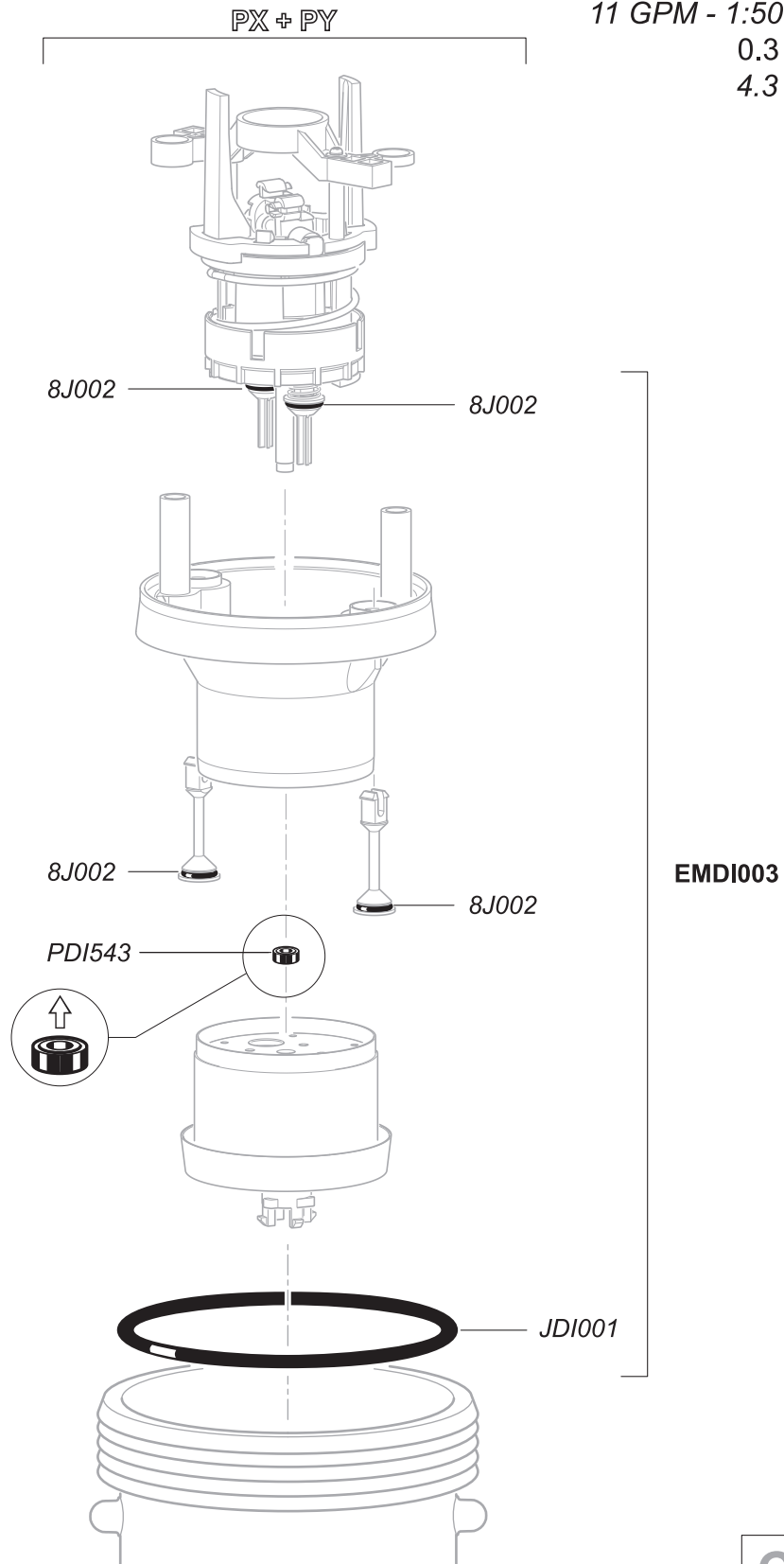
DI16

2.5 m³/h - 0.2 - 1.6%
 11 GPM - 1:500 - 1:64
 0.3 - 6 bar
 4.3 - 85 psi



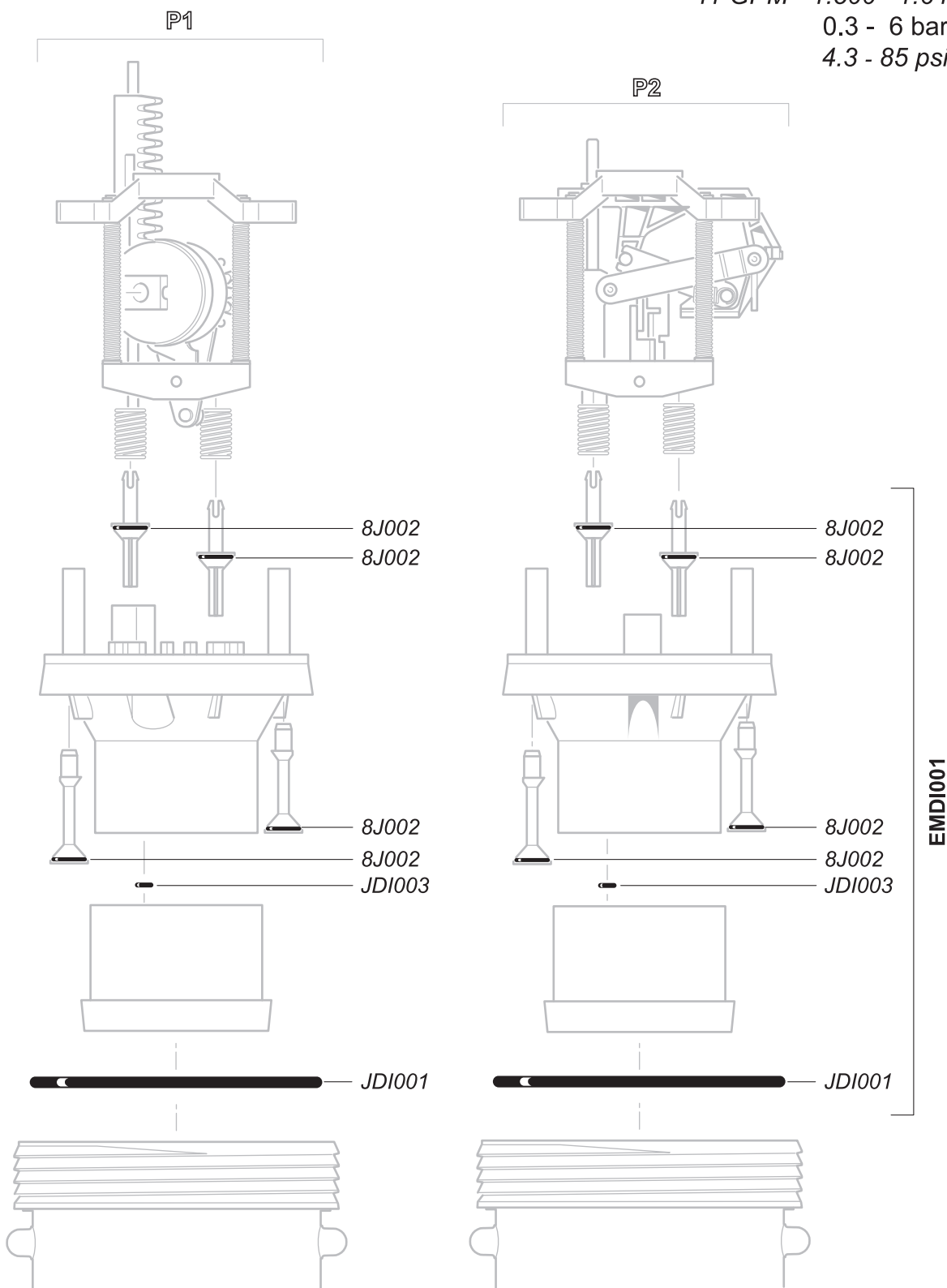
DI16

2.5 m³/h - 0.2 - 1.6%
11 GPM - 1:500 - 1:64
0.3 - 6 bar
4.3 - 85 psi



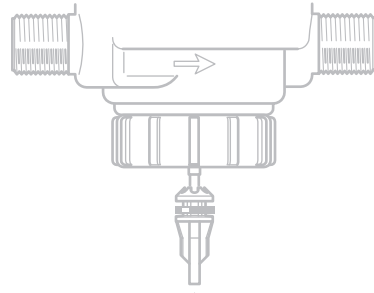
DI16

2.5 m³/h - 0.2 - 1.6%
11 GPM - 1:500 - 1:64
0.3 - 6 bar
4.3 - 85 psi

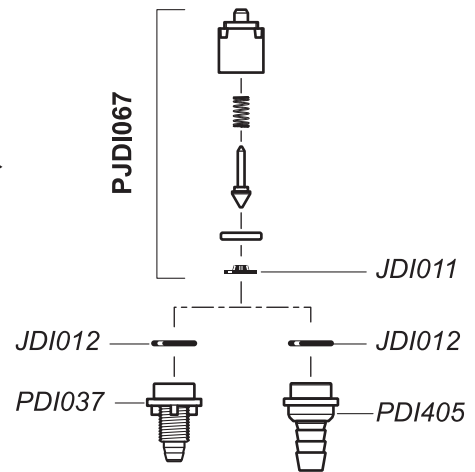
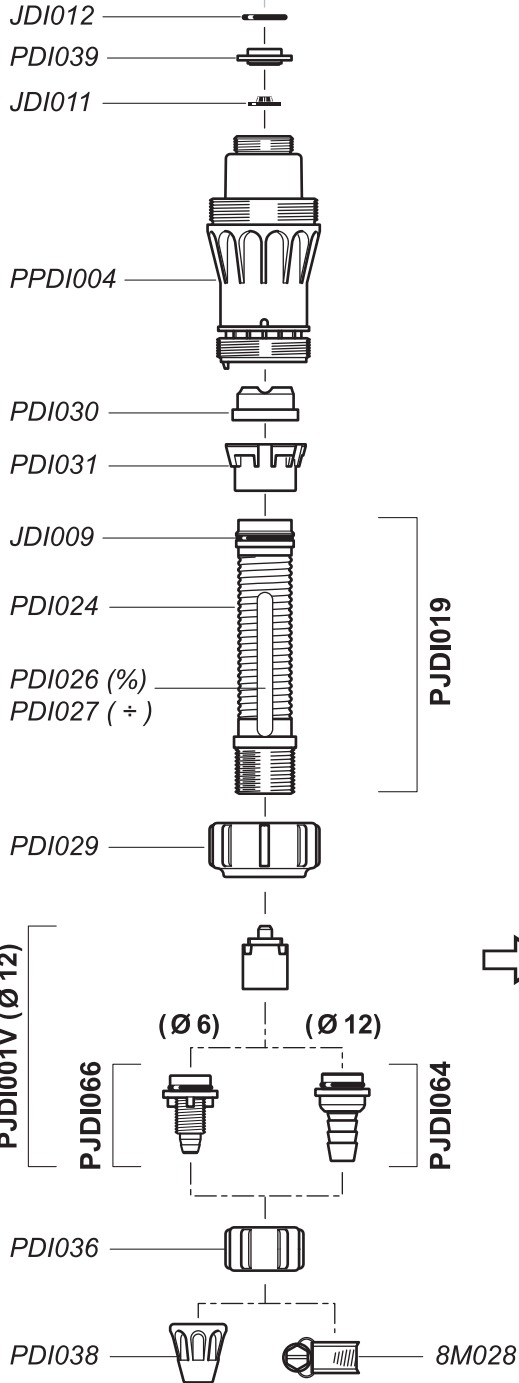


DI16

2.5 m³/h - 0.2 - 1.6%
 11 GPM - 1:500 - 1:64
 0.3 - 6 bar
 4.3 - 85 psi



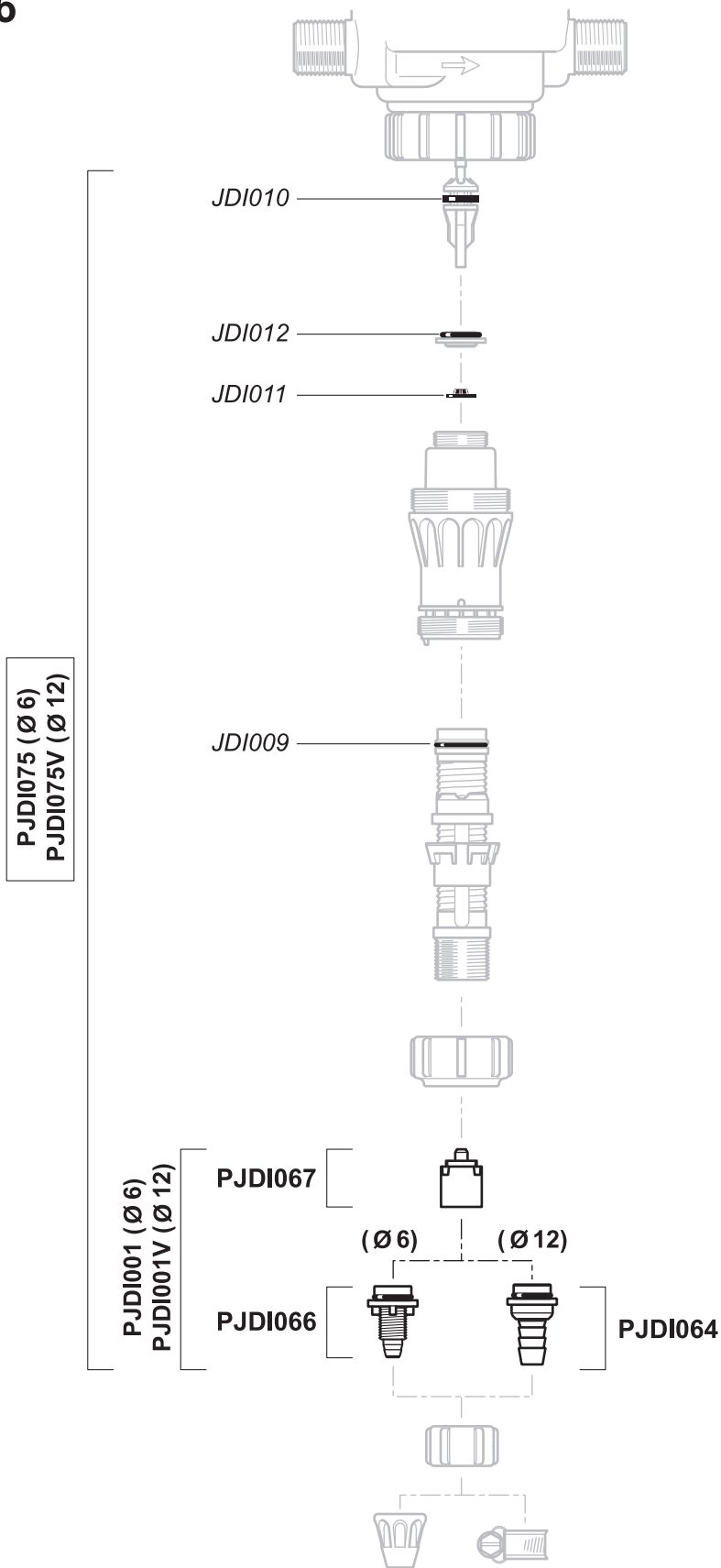
CDDI053 (Ø 6)
 CDDI053V (Ø 12)



D

DI16

2.5 m³/h - 0.2 - 1.6%
11 GPM - 1:500 - 1:64
0.3 - 6 bar
4.3 - 85 psi



DI16

2.5 m³/h - 0.2 - 1.6%
11 GPM - 1:500 - 1:64
0.3 - 6 bar
4.3 - 85 psi

